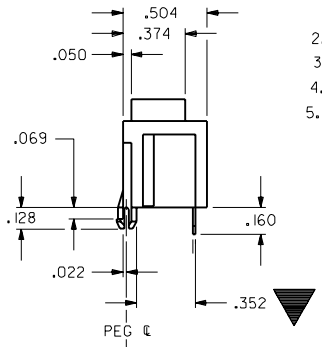
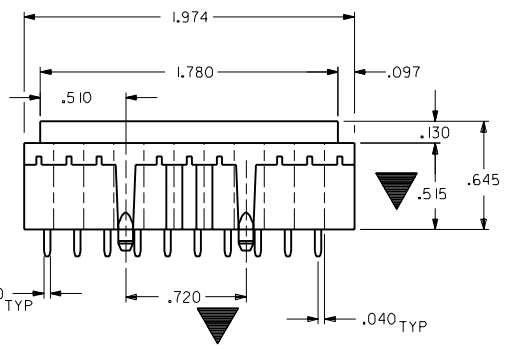
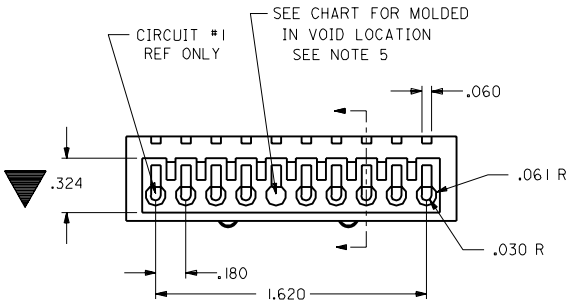
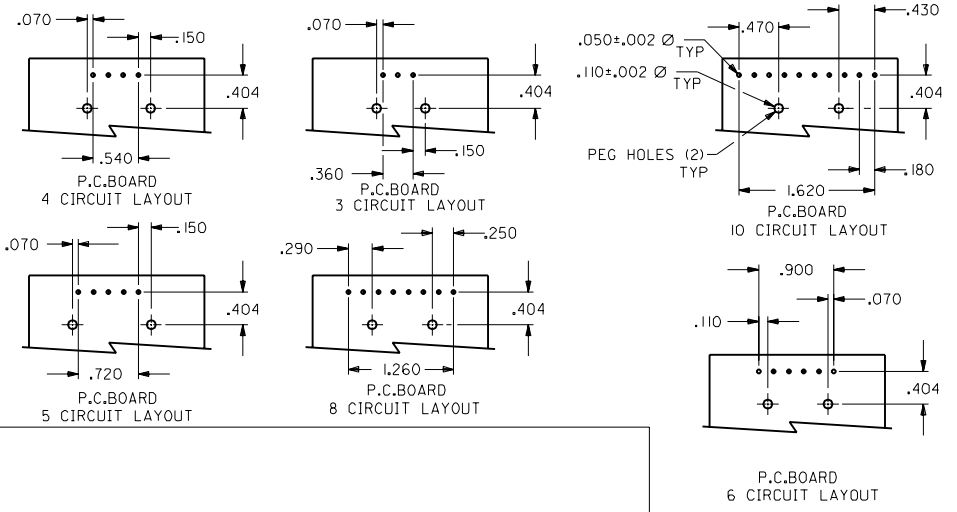
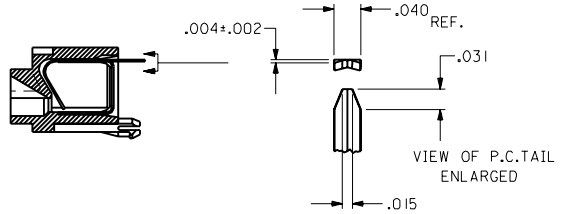


HOUSING TO BE MOLDED IN 3,4,5,6,8&10 CIRCUITS AS SHOWN  
NOTE P.C.BOARD LOCKING PEG LOCATIONS



- NOTES:
- FOR USE WITH 16AWG SOLID & 18AWG SOLID OR STRANDED WIRE WITH TIN TOP COAT OR 20AWG STRANDED WIRE WITH TIN TOP COAT. INSULATION O.D..079/.118.
  - SUGGESTED STRIP LENGTH OF MATED WIRE TO BE WITHIN .320-.380 LONG.
  - MONITORED OR CHARTED DIMENSIONS.
  - FOR PRODUCT SPECIFICATIONS SEE PS-42732.
  - TUBE PACK PER: PK-44743-003

MATERIAL:  
HOUSING- POLYESTER (7 1/2% GLASS FILLED); COLOR- WHITE  
TERMINAL- .013 THICK PHOS. BRONZE PRE-TIN PLATE



UNLESS OTHERWISE SPECIFIED TOLERANCES: ANGULAR ± 1°		DIMENSIONS SHOWN METRIC (INCH)		▽ = 0 ▼ = 9 REVISE ONLY ON CAD SYSTEM	
INCH		METRIC		TITLE	
3 PLACE ± .006	---	3 PLACE ± .006	---	WIRE TRAP ASSEMBLY	
2 PLACE ± .001	± .023	2 PLACE ± .001	± .023	PART NO. SEE CHART	
1 PLACE ---	± .085	1 PLACE ---	± .085	MFG. SHL. REV.	
DRAFT WHERE APPLICABLE MUST REMAIN WITHIN DIMENSIONS		DRAWN BY: EDGLEY LENZ		SHEET NO. 2 OF 2 DATE 10/26/90	
APP'D BY: LENZ		SCALE: 2:1		MOLEX INCORPORATED LISLE, ILL. 60532 U.S.A.	
LTR. REVISIONS		LTR. REVISIONS		FILE NAME: S42732X1	
				THIS DRAWING CONTAINS INFORMATION THAT IS PROPRIETARY TO MOLEX INC. AND SHOULD NOT BE USED WITHOUT WRITTEN PERMISSION.	
				DIV. C	

42732

R4  
S

10/26/90

SDA-42732-0

	13	12	11	10	9	8	7	6	42732	4	3	2	1				
J	PART NO.	ENG. NO.	NO. OF CIRCUITS	MOLDED VOID IN CKT NO	TERMINAL VOID IN CKT NO	HOUSING USED IN ASSEMBLY											
	22-45-4036	A-42732-2030	3	NONE	NONE	42732-1030											
I	22-45-4046	A-42732-2040	4	NONE	NONE	42732-1040											
	22-45-4056	A-42732-2050	5	NONE	NONE	42732-1050											
H	22-45-4066	A-42732-2060	6	NONE	NONE	42732-1060											
	22-45-4086	A-42732-2080	8	NONE	NONE	42732-1080											
G	22-45-4106	A-42732-2100	10	NONE	NONE	42732-1100											
	22-45-4037	A-42732-2032	3	2	NONE	42732-1032											
F	22-45-5064	A-42732-2061	6	3,4	NONE	42732-1061											
	22-45-4067	A-42732-2062	6	2,5	NONE	42732-1062											
E	22-45-5065	A-42732-2063	6	2,5,6	NONE	42732-1063											
	22-45-5084	A-42732-2081	8	2,4,6,8	NONE	42732-1081											
D	22-45-5104	A-42732-2101	10	2,4,7,9	NONE	42732-1101											
	22-45-5060	A-42732-3006	6	2,4,5	NONE	42732-1064											
C	22-45-5069	A-42732-3007	6	2,4,5,6	NONE	42732-1065											
	22-45-5054	A-42732-2051	5	1,2	NONE	42732-1051											
B	42732-2082	A-42732-2082	8	NONE	2,5,7	42732-1080											
	42732-2083	A-42732-2083	8	NONE	2,4	42732-1080											
A	42732-2102	A-42732-2102	10	NONE	4,7,9	42732-1100											
								SEE SHEET I	R2	SEE SHEET I	DIMENSIONS SHOWN (METRIC) INCH			▽ = 0	▽ = 0	REVISE ONLY ON CAD SYSTEM	
								SEE SHEET I	R1	SEE SHEET I	UNLESS OTHERWISE SPECIFIED TOLERANCES ANGLES ARE 1/2°			TITLE WIRE TRAP ASSEMBLY			
								SEE SHEET I	R	SEE SHEET I	INCH METRIC			PART NO. SD A-42732-*			
								SEE SHEET I	Q1	SEE SHEET I	3 PLACE ± .005 ---			MOLEX INCORPORATED SHEET NO. 2 DATE 4/8/94			
								SEE SHEET I	Q	SEE SHEET I	2 PLACE ± .01 ± 0.13			SEE CHART			
								SEE SHEET I	P4	SEE SHEET I	1 PLACE --- ± 0.25			DRAWING NO. SD A-42732-*			
								SEE SHEET I	P3	SEE SHEET I	DRAFT WHERE APPLICABLE MUST REMAIN WITHIN DIMENSIONS			FILE NAME S42732X2 THIS DRAWING CONTAINS INFORMATION THAT IS PROPRIETARY TO MOLEX INC. AND SHOULD NOT BE USED WITHOUT WRITTEN PERMISSION			
								LTR.	REVISIONS	LTR.	REVISIONS	DRWG. BY: SAMIEC			DWN'D. BY: EDGLEY		
											APP'D. BY: LENZ			SCALE: :			
											DRAWN BY: SAMIEC			DATE: 4/8/94			
											DWN'D. BY: EDGLEY			DWN'D. BY: C			
											APP'D. BY: LENZ			SCALE: :			
											DRAWING NO. SD A-42732-*			PART NO. SD A-42732-*			
											FILE NAME S42732X2			THIS DRAWING CONTAINS INFORMATION THAT IS PROPRIETARY TO MOLEX INC. AND SHOULD NOT BE USED WITHOUT WRITTEN PERMISSION			
											DRAWN BY: SAMIEC			DATE: 4/8/94			
											DWN'D. BY: EDGLEY			DWN'D. BY: C			
											APP'D. BY: LENZ			SCALE: :			
											DRAWING NO. SD A-42732-*			PART NO. SD A-42732-*			
											FILE NAME S42732X2			THIS DRAWING CONTAINS INFORMATION THAT IS PROPRIETARY TO MOLEX INC. AND SHOULD NOT BE USED WITHOUT WRITTEN PERMISSION			